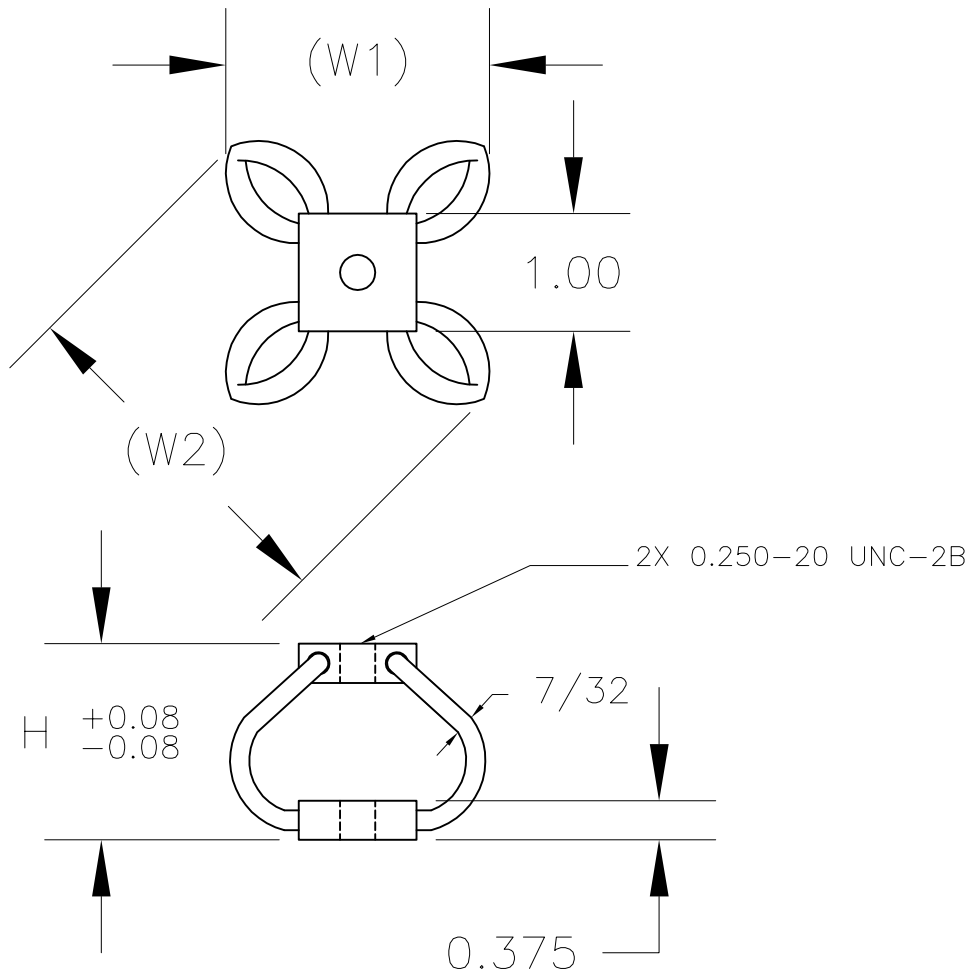


MODEL #	NOMINAL DIMENSIONS			LOAD MODE	SHOCK	VIBRATION	RATED
	H	W1(REF)	W2(REF)		AVERAGE	AVERAGE	DYNAMIC
					Klbs./in.	Klbs./in.	TRAVEL in.
JSQ7-165-T2	1.65	2.25	3.00	Compression	95	155	0.90
				Shear	55	75	0.90
				45 deg. C/R	55	110	1.25
JSQ7-185-T2	1.85	2.50	3.25	Compression	55	100	1.10
				Shear	30	45	1.10
				45 deg. C/R	30	70	1.50
JSQ7-215-T2	2.15	2.75	3.60	Compression	35	60	1.30
				Shear	20	35	1.30
				45 deg. C/R	20	45	1.80



OTHER MATERIALS, COMPOUNDS, OR FINISHES WITH EQUAL OR SUPERIOR PROPERTIES MAY BE SUBSTITUTED AS THEY BECOME AVAILABLE.

**CERTIFIED FOR:**

JOB NAME: \_\_\_\_\_  
 CUSTOMER: \_\_\_\_\_  
 CUSTOMER P.O.: \_\_\_\_\_  
 SALES ORDER: \_\_\_\_\_

**MODEL JSQ7 SERIES  
 SQUARE WIRE ROPE  
 ISOLATOR**



**THE VMC GROUP**  
*The Power of Together*  
 Bloomingdale, NJ 07403  
 Houston, TX 77041

SCALE:

NONE

SHEET:



DRAWING NO.:

REVISION